

# **IT-Pruefungen.de**

Hochwertige Qualität, neueste Prüfungsunterlagen

<http://www.it-pruefungen.de>

**Exam :** 640-802

**Title :** Cisco Certified Network  
Associate

**Version :** Demo

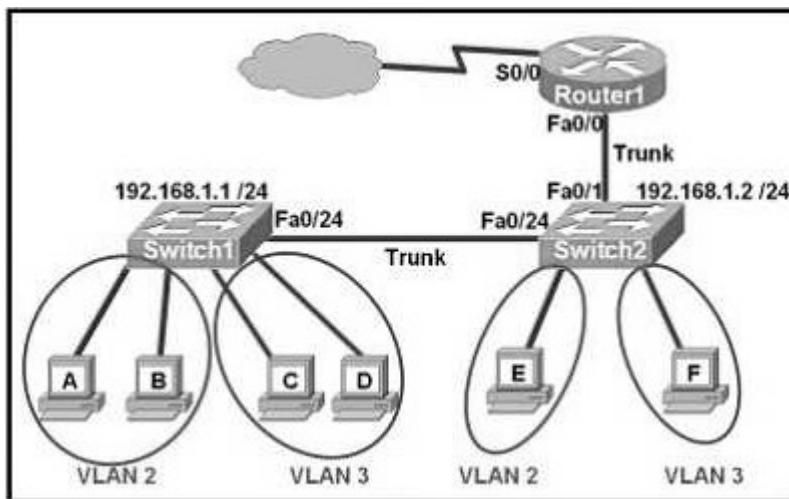
1. Refer to the exhibit. What could be possible causes for the "Serial0/0 is down" interface status? (Choose two.)

```
Router1#show interfaces serial 0/0
Serial0/0 is down, line protocol is down
Hardware is MK5025
Serial Internet address is 10.1.1.2/24
MTU 1500 bytes, BW 1544 Kbits, DLY 20000 usec, rely 255/255, load 9/255
Encapsulation PPP, loopback not set, keepalive set (10 sec)
<some output omitted>
```

- A. A Layer 1 problem exists.
- B. The bandwidth is set too low.
- C. A protocol mismatch exists.
- D. An incorrect cable is being used.
- E. There is an incorrect IP address on the Serial 0/0 interface.

Answer: AD

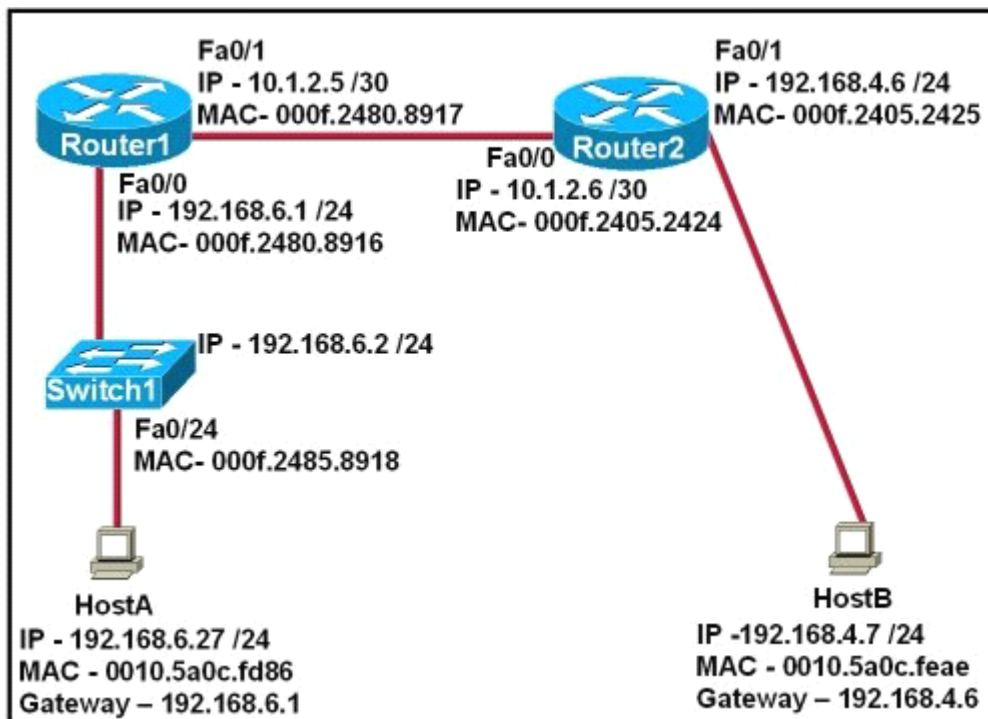
2. Before installing a new, upgraded version of the IOS, what should be checked on the router, and which command should be used to gather this information? (Choose two.)



- A. the amount of available ROM
- B. the amount of available flash and RAM memory

- C. the version of the bootstrap software present on the router
  - D. show version
  - E. show processes
  - F. show running-config
- Answer: BD

3. Refer to the exhibit. After HostA pings HostB, which entry will be in the ARP cache of HostA to support this transmission?



A.

Interface Address	Physical Address	Type
192.168.4.7	000f.2480.8916	dynamic

B.

Interface Address	Physical Address	Type
192.168.4.7	0010.5a0c.feae	dynamic

C.

Interface Address	Physical Address	Type
192.168.6.1	0010.5a0c.fea	dynamic

D.

Interface Address	Physical Address	Type
192.168.6.1	000f.2480.8916	dynamic

E.

Interface Address	Physical Address	Type
192.168.6.2	0010.5a0c.fea	dynamic

F.

Interface Address	Physical Address	Type
192.168.6.2	000f.2485.8918	dynamic

Answer: D

4. A network administrator is explaining VTP configuration to a new technician. What should the network administrator tell the new technician about VTP configuration? (Choose three.)

- A. A switch in the VTP client mode cannot update its local VLAN database.
- B. A trunk link must be configured between the switches to forward VTP updates.
- C. A switch in the VTP server mode can update a switch in the VTP transparent mode.
- D. A switch in the VTP transparent mode will forward updates that it receives to other switches.
- E. A switch in the VTP server mode only updates switches in the VTP client mode that have a higher VTP revision number.
- F. A switch in the VTP server mode will update switches in the VTP client mode regardless of the configured VTP domain membership.

Answer: ABD

5. Which two locations can be configured as a source for the IOS image in the boot system command? (Choose two.)

- A. RAM
- B. NVRAM
- C. flash memory
- D. HTTP server
- E. TFTP server
- F. Telnet server

Answer: CE

6. What are two reasons a network administrator would use CDP? (Choose two.)

- A. to verify the type of cable interconnecting two devices
- B. to determine the status of network services on a remote device
- C. to obtain VLAN information from directly connected switches
- D. to verify Layer 2 connectivity between two devices when Layer 3 fails
- E. to obtain the IP address of a connected device in order to telnet to the device
- F. to determine the status of the routing protocols between directly connected routers

Answer: DE

7. A company is installing IP phones. The phones and office computers connect to the same device. To ensure maximum throughput for the phone data, the company needs to make sure that the phone traffic is on a different

network from that of the office computer data traffic. What is the best network device to which to directly connect the phones and computers, and what technology should be implemented on this device? (Choose two.)

- A. hub
- B. router
- C. switch
- D. STP
- E. subinterfaces
- F. VLAN

Answer: CF

8. What are two benefits of using VTP in a switching environment? (Choose two.)

- A. It allows switches to read frame tags.
- B. It allows ports to be assigned to VLANs automatically.
- C. It maintains VLAN consistency across a switched network.
- D. It allows frames from multiple VLANs to use a single interface.
- E. It allows VLAN information to be automatically propagated throughout the switching environment.

Answer: CE

9. Which two statements are true about the command `ip route 172.16.3.0 255.255.255.0 192.168.2.4`? (Choose two.)

- A. It establishes a static route to the 172.16.3.0 network.
- B. It establishes a static route to the 192.168.2.0 network.
- C. It configures the router to send any traffic for an unknown destination to the 172.16.3.0 network.

- D. It configures the router to send any traffic for an unknown destination out the interface with the address 192.168.2.4.
- E. It uses the default administrative distance.
- F. It is a route that would be used last if other routes to the same destination exist.

Answer: AE

10. What are two advantages of Layer 2 Ethernet switches over hubs?  
(Choose two.)

- A. decreasing the number of collision domains
- B. filtering frames based on MAC addresses
- C. allowing simultaneous frame transmissions
- D. increasing the size of broadcast domains
- E. increasing the maximum length of UTP cabling between devices

Answer: BC

11. Which three statements are typical characteristics of VLAN arrangements? (Choose three.)

- A. A new switch has no VLANs configured.
- B. Connectivity between VLANs requires a Layer 3 device.
- C. VLANs typically decrease the number of collision domains.
- D. Each VLAN uses a separate address space.
- E. A switch maintains a separate bridging table for each VLAN.
- F. VLANs cannot span multiple switches.

Answer: BDE

12. Switch ports operating in which two roles will forward traffic according



to the IEEE 802.1w standard?

(Choose two.)

- A. alternate
- B. backup
- C. designated
- D. disabled
- E. root

Answer: CE

13. What are two characteristics of Telnet? (Choose two.)

- A. It sends data in clear text format.
- B. It is no longer supported on Cisco network devices.
- C. It is more secure than SSH.
- D. It requires an enterprise license in order to be implemented.
- E. It requires that the destination device be configured to support Telnet connections.

Answer: AE

14. What are two security appliances that can be installed in a network?

(Choose two.)

- A. ATM
- B. IDS
- C. IOS
- D. IOX
- E. IPS
- F. SDM

Answer: BE

15. A single 802.11g access point has been configured and installed in the center of a square office. A few wireless users are experiencing slow performance and drops while most users are operating at peak efficiency. What are three likely causes of this problem? (Choose three.)

- A. mismatched TKIP encryption
- B. null SSID
- C. cordless phones
- D. mismatched SSID
- E. metal file cabinets
- F. antenna type or direction

Answer: CEF

16. A host is attempting to send data to another host on a different network. What is the first action that the sending host will take?

- A. Drop the data.
- B. Send the data frames to the default gateway.
- C. Create an ARP request to get a MAC address for the receiving host.
- D. Send a TCP SYN and wait for the SYN ACK with the IP address of the receiving host.

Answer: C

17. Which two devices can interfere with the operation of a wireless network because they operate on similar frequencies? (Choose two.)

- A. copier
- B. microwave oven
- C. toaster

D. cordless phone

E. IP phone

F. AM radio

Answer: BD

18. Which two statements describe characteristics of IPv6 unicast addressing?

(Choose two.)

A. Global addresses start with 2000::/3.

B. Link-local addresses start with FE00:/12.

C. Link-local addresses start with FF00::/10.

D. There is only one loopback address and it is ::1.

E. If a global address is assigned to an interface, then that is the only allowable address for the interface.

Answer: AD

19. Which two of these statements are true of IPv6 address representation?

(Choose two.)

A. There are four types of IPv6 addresses: unicast, multicast, anycast, and broadcast.

B. A single interface may be assigned multiple IPv6 addresses of any type.

C. Every IPv6 interface contains at least one loopback address.

D. The first 64 bits represent the dynamically created interface ID.

E. Leading zeros in an IPv6 16 bit hexadecimal field are mandatory.

Answer: BC

20. What are three basic parameters to configure on a wireless access point?

(Choose three.)

- A. SSID
- B. RTS/CTS
- C. AES-CCMP
- D. TKIP/MIC
- E. RF channel
- F. authentication method

Answer: AEF

21. Which two statements describe the Cisco implementation of VLANs?

(Choose two.)

- A. VLAN 1 is the default Ethernet VLAN.
- B. CDP advertisements are only sent on VLAN 1002.
- C. By default, the switch IP address is in VLAN 1005.
- D. VLANs 1002 through 1005 are automatically created and cannot be deleted.

Answer: A, D

22. You just entered the following command: `Company (config)# line console 0`

- A. Configure the terminal type.
- B. Enter protocol parameters for a serial line.
- C. Create a password on the console terminal line.
- D. Establish a terminal type 4 connection to a remote host.

Answer: C

23. Which three of the following are reasons for assigning ports to VLANs on a switch? (Choose three.)

- A. to permit more devices to connect to the network
- B. to isc
- C. to logically group hosts on the basis of function
- D. to increase network security

Answer: B, C, D

24.What is the objective of a default route?

- A. Offering routing to override the configured dynamic routing protocol
- B. Offering routing to a local web server
- C. Offering routing from an ISP to a stub network
- D. Offering routing to a destination that is not specified in the routing table and which is outside the local network

Answer: D

25.A default Frame Relay WAN is classified as what type of physical network?

- A. Point-to-point
- B. Broadcast multi-access
- C. Nonbroadcast multi-access
- D. Nonbroadcast multipoint
- E. Broadcast point-to-multipoint

Answer: C

26.The command frame-relay map ip 10.121.16.8 102 broadcast was entered on the router.Which of the following statements is true concerning this command?

- A. This command should be executed from the global configuration mode.

- B. The IP address 10.121.16.8 is the local router port used to forward data.
- C. 102 is the remote DLCI that will receive the information.
- D. This command is required for all Frame Relay configurations.
- E. The broadcast option allows packets, such as RIP updates, to be forwarded across the PVC.

Answer: E

27. Which type of attack is characterized by a flood of packets that are requesting a TCP connection to a server?

- A. Denial of service
- B. Brute force
- C. Reconnaissance
- D. Trojan horse

Answer: A

28. Which spread spectrum technology does the 802.11b standard define for operation?

- A. IR
- B. DSSS
- C. FHSS
- D. DSSS and FHSS
- E. IR, FHSS, and DSSS

Answer: B

29. Which routing protocol by default uses bandwidth and delay as metrics?

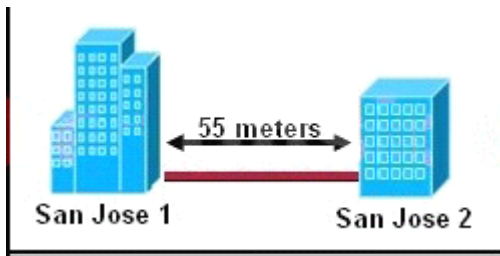
- A. RIP
- B. BGP

C. OSPF

D. EIGRP

Answer: D

30. Refer to the exhibit. Two buildings on the San Jose campus of a small company must be connected to use Ethernet with a bandwidth of at least 100 Mbps. The company is concerned about possible problems from voltage potential differences between the two buildings. Which media type should be used for the connection?



A. UTP cable

B. STP cable

C. coaxial cable

D. fiber optic cable

Answer:D